

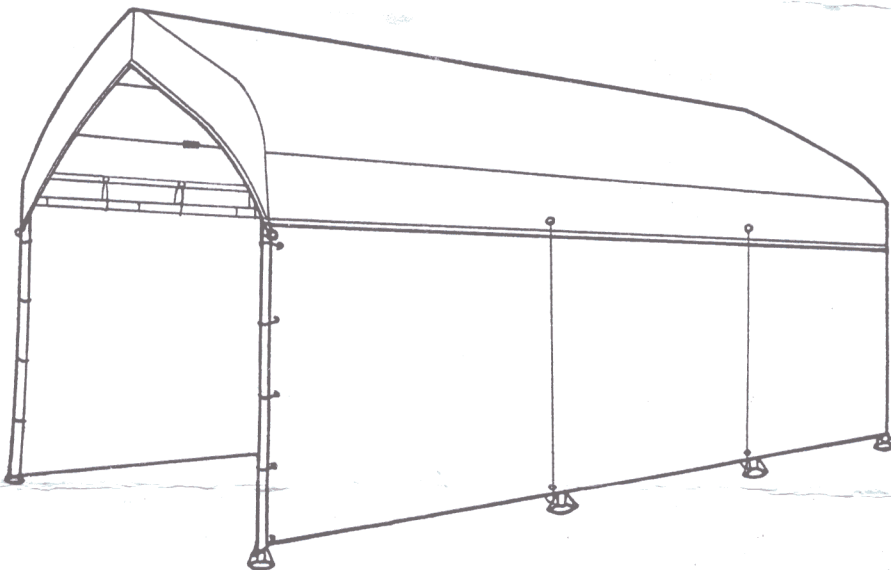
# STEEL FRAME CANOPY

## 10' X 20'

## 3M X 6M

QUICK ASSEMBLY  
WITHOUT TOOLS

### PARTS AND ASSEMBLY INSTRUCTION MANUAL



#### **NOTICE**

This Canopy is designed as a multi-purpose structure which will serve various functions when properly used. It is easy to assemble without the use of any tools.

The use of this Canopy during windy, icy or snowy conditions is not recommended.

The accumulation of snow and ice on the Canopy roof may pose a safety concern.

Under severe weather conditions, disassemble your Canopy and store indoors.

It is strongly recommended that the Canopy remain secure to the ground at all times via the foot plates and nylon straps supplied. Avoid placing the unit on soft ground and ground that is prone to flooding.

#### **WARRANTY AND RESPONSIBILITY**

The manufacturer carries a three (3) year limited warranty to the original owner from the date of its original purchase and covers all manufacture defects. Claims for damage or injury created by weather related incidents will be the sole responsibility of the end user.

#### **WARNING:**

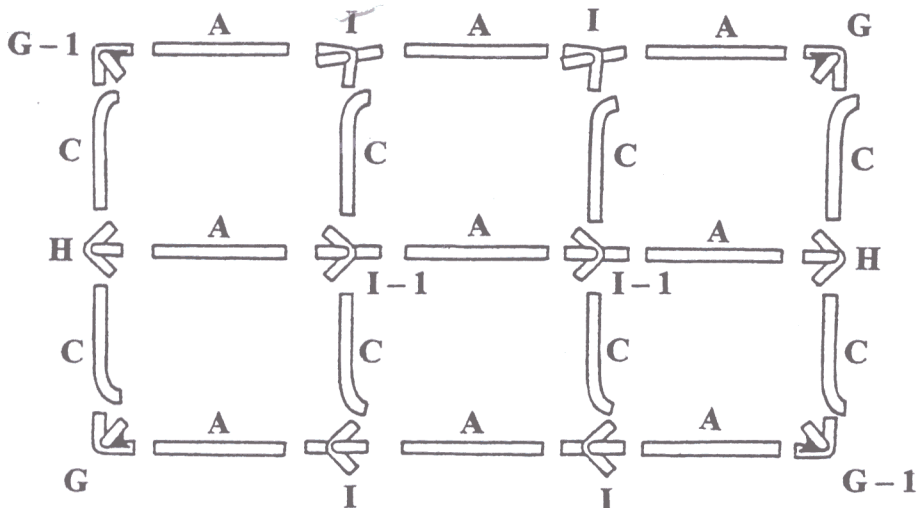
**KEEP ALL FLAME AND HEAT SOURCES AWAY FROM THIS TENT FABRIC.** This Canopy is meant for vehicle/boat storage and should not be utilized as shelter for public gatherings. This tent meets the flammability requirements of CPAI-84. The fabric may burn if left in continuous contact with any flame source. The application of any foreign substance to the tent fabric may render the flame resistant properties ineffective.

# CANOPY PARTS LIST

Please verify all parts prior to assembly. Should any parts be missing or defective, please contact our customer service department.

	Parts Code	Description	QTY
A	2002 - A	1.9m Powder coated steel tube (main frame)	9
B	2002 - B	1.7m Steel tube with holes top and bottom (vertical support )	8
C	2002 - C	1.7m Powder coated steel tube (roof beam)	8
D	2002 - D	4.3m x 22'5\"/>6.8m Polyethylene canopy roof	1
E	2002 - E	1.8m x 20'"/>6m Side panel	2
F	2002 - F	2.8m x 9'10\"/>2.9m Back panel	1
G	2002 - G		2
G-1	2002 - G-1		2
H	2002 - H		2
I	2002 - I		4
I-1	2002 - I-1		2
J	2002 - J		70
J-1	2002 - J-1		20
K	2002 - K		8
L	2002 - L		16
M	2002 - M		8
N	2002 - N		4
N-1	2002 - N-1		4
O	2002 - O		24
P	2002 - P		12
Q	2002 - Q		4

## Roof Layout Structural Parts – Figure #1



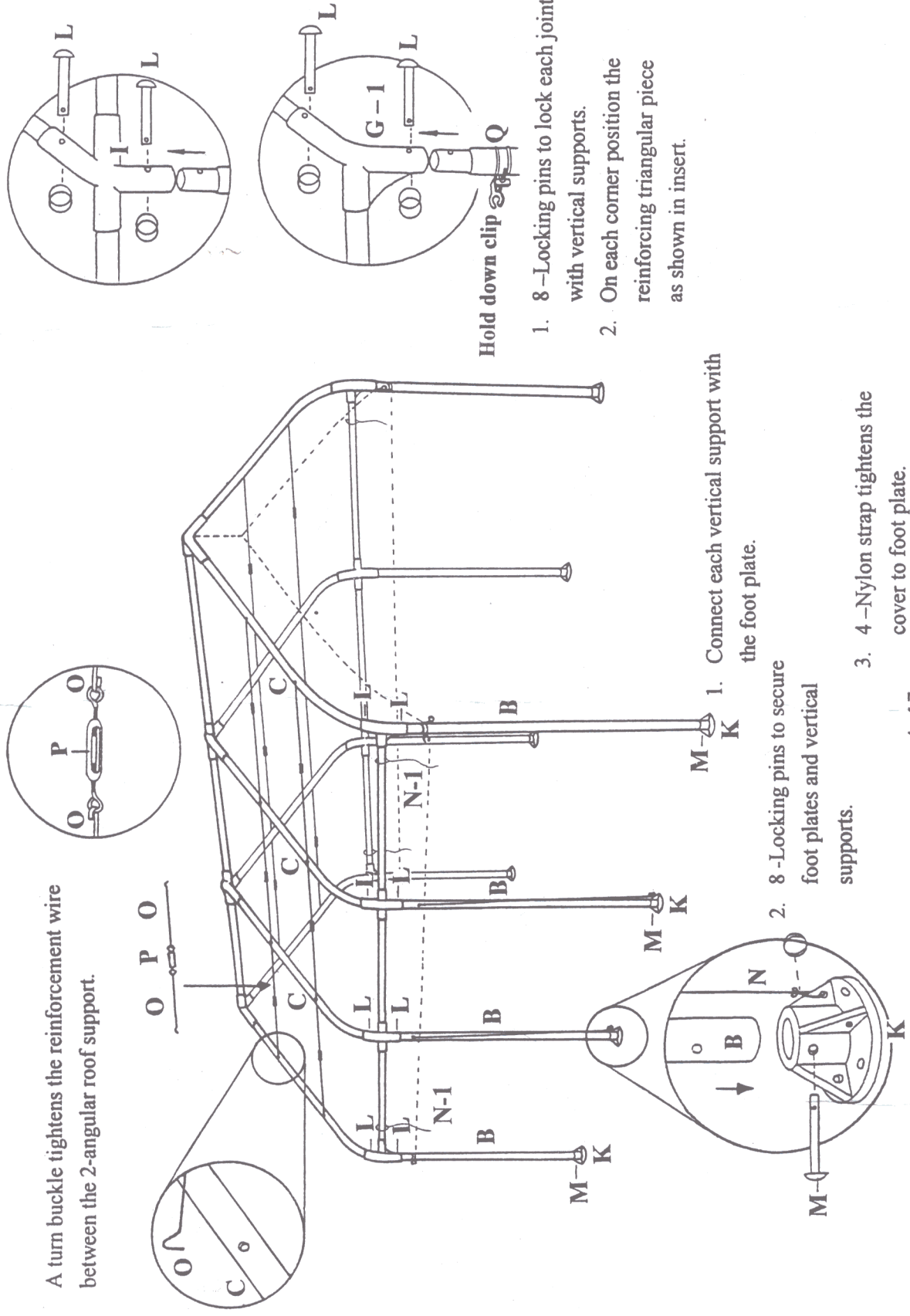
# ASSEMBLY INSTRUCTIONS

1. Lay out all structural parts. Separate nine (9) powder coated steel pipe pieces (A). These form the length of the structure. Please ensure they are not mistaken for vertical supports (legs). Separate eight (8) vertical support tubes (B) and roof beams(C).
2. **Note:** When completing the next stage of this assembly it is important that, after attaching each corner piece (G, G-1 & I) to roof beams (C), you connect each using pin (L), immediately after it is assembled. With this in mind, using the appropriate corner pieces (G, G-1 & I) assemble this portion of the roof frame. Once completed, assemble the other side also using corner pieces (G, G-1 & I). (Figure #1) Assemble main frame poles (A) and roof beams (C) using corner pieces (H) and (I-1). No pins are required here. Attach the reinforcement wires (O) to the holes in the upper side of the roof beams (C) then to the turn buckles (P) and adjust to remove any slack in the wires. (See Figure #2) Place canopy roof (D) over assembled roof frame.
3. Slide one hold down clip (Q) onto each of the 4 vertical support tubes (B). These tubes will be used as the four corner legs of the canopy. Raise ONE side of the roof structure and insert vertical support tube (B) into the corner pieces already attached to the roof structure. It is recommended that two persons be used for this portion of the assembly process. These will form the canopy legs. At the top end of each vertical support tube, fasten the corner pieces using short pins and rings (L). Once completed, repeat the process for the other side (Figure #2).
4. Insert each vertical support tube (B) into the foot plates provided (K). At the bottom of each vertical support tube, fasten the leg to the foot plate using long pins and rings (M) (See insert Figure #2). To prevent disconnection, each leg should be pinned as it joins the assembly.
5. Attach roof to the frame pipe with long bungee cords (J) provided (Figure#3).
6. Attach side panel (E) to the frame using both the long and short bungee cords provided (J) & (J-1). (Figure #5)
7. Attach back panel (F) to the frame in the same fashion as in #6.
8. Attach the base of the side panels to the base of the rear panel through the grommets provided, then through the holes in the foot plates by using the long bungee cords (J). Repeat on the other side. Attach the bottom of the side panels to the foot plates in the same fashion. (Figure #5)
9. At each corner of the roof there is a plastic ball at the end of a cord. Attach it to the hold down clip (Q). Position the hold down clip on the vertical support so that there is tension in the cord then lock the clip in position. (see Figure #4)
10. Secure all other grommet areas. Tighten bungee cords as required.
11. On each side of the canopy roof, tie two nylon straps (N) to the two center eyelets in the overhang and tie the other end to the hole in the foot plate. (Figure #4)
12. Smaller straps are included for securing the sides when rolled up.

## ANCHORING YOUR CANOPY

After construction, it is imperative that your canopy be securely anchored to prevent movement or wind damage. Do not under any circumstances use this unit without first securing it properly. Holes are provided in the foot plates for this purpose. This unit can be anchored in a variety of ways. Please ensure the appropriate anchoring method is used to coincide with the surface upon which it will stand and the climate conditions of your area.

# Inserting Structural Legs – Figure #2

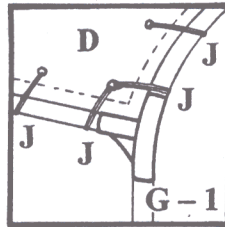
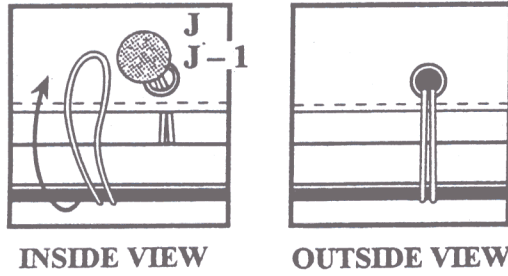


A turn buckle tightens the reinforcement wire between the 2-angular roof support.

- Hold down clip
1. 8 -Locking pins to lock each joint with vertical supports.
  2. On each corner position the reinforcing triangular piece as shown in insert.

1. Connect each vertical support with the foot plate.
2. 8 -Locking pins to secure foot plates and vertical supports.
3. 4 -Nylon strap tightens the cover to foot plate.

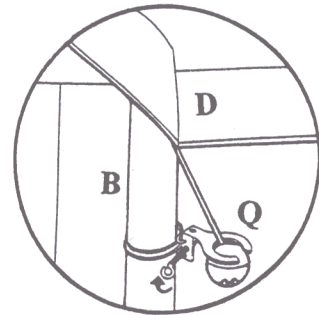
# Bungee Strap – Figure #3



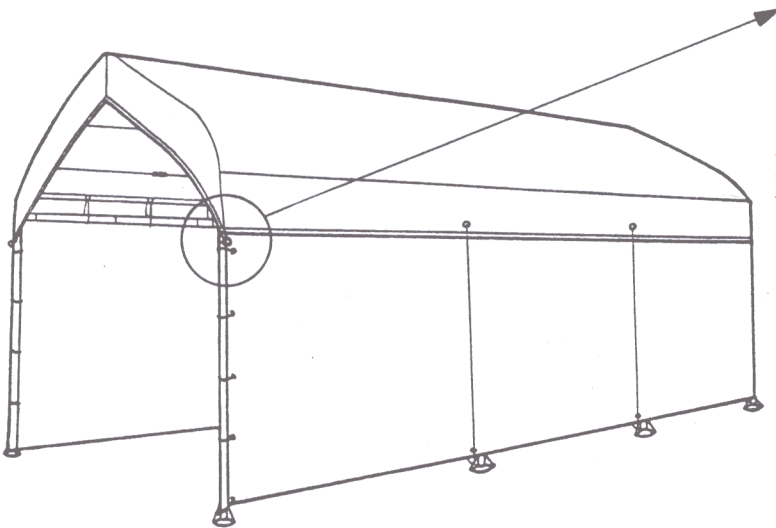
BUNGEE STRAPS –Should you require a shorter strap for snug fit, please follow the steps outlined below.

1. Lift ball
2. Remove knot
3. Tie a second knot to desired length
4. Allow ball to rest on new knot
5. Remove excess strap if necessary

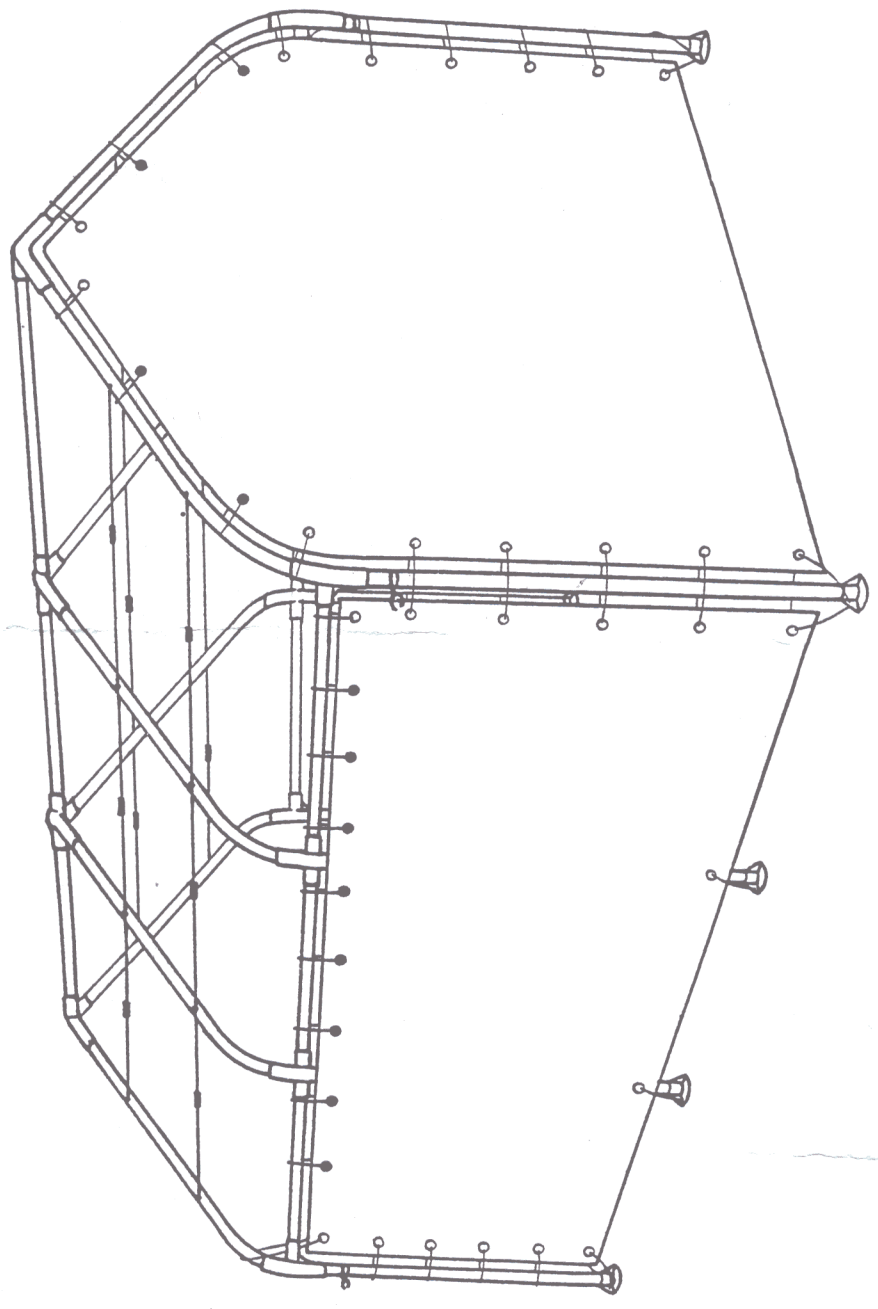
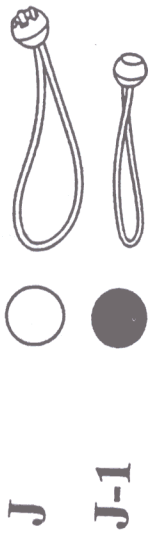
## Figure #4



**FITTING THE PLASTIC BALL INTO HOLD DOWN CLIPS**



**Figure #5**



# **PARTS OR CUSTOMER SERVICE**

**PLEASE CALL**

1-800-929-9517 Monday – Friday

8 : 30 A.M – 4 : 30 P.M Pacific Standard Time

Any item covered by warranty will be sent directly to you freight prepaid

**IN ORDER TO IDENTIFY YOUR CANOPY MODEL AND  
PROPERLY SERVICE YOUR WARRANTY REQUIREMENTS,  
PLEASE ENSURE YOU RETAIN YOUR POINT OF PURCHASE  
RECEIPT AND THIS INSTRUCTION BOOK.**

PLEASE RETAIN THIS DOCUMENT FOR FUTURE REFERENCE

Printed in Taiwan